

Anticyclonic Eco Kit 74 m²

Easy unpacking and assembly!



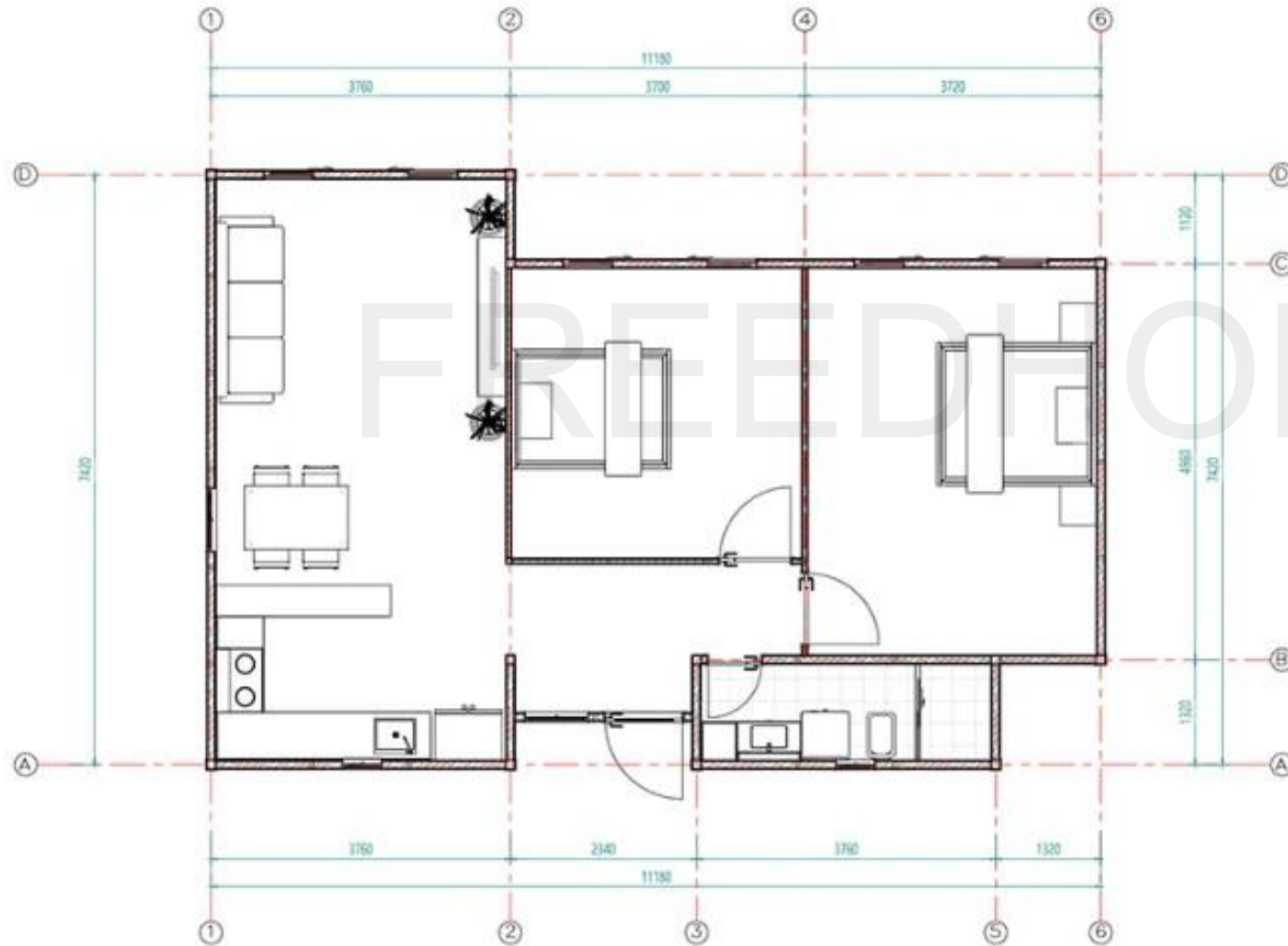


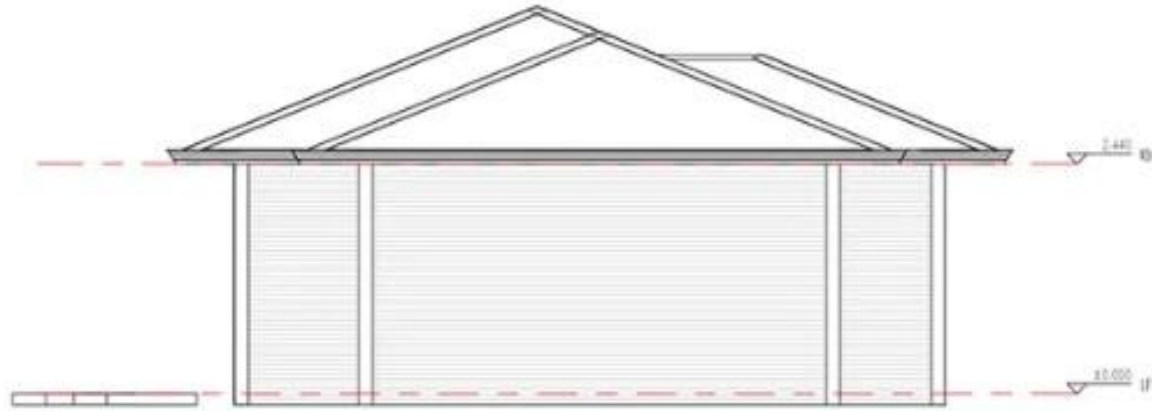






Plans



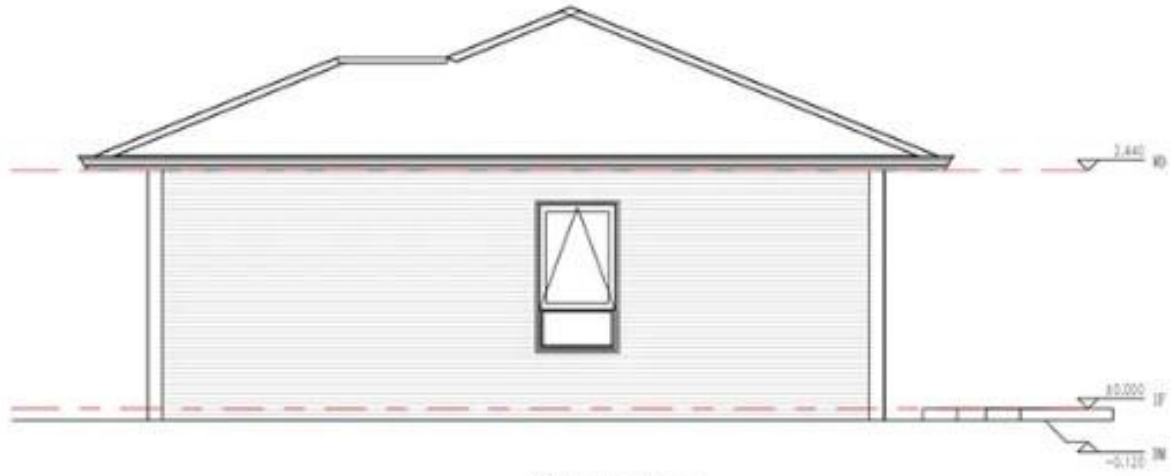


West view

FREEDHOME



South view



West view

FREEDHOME



North view

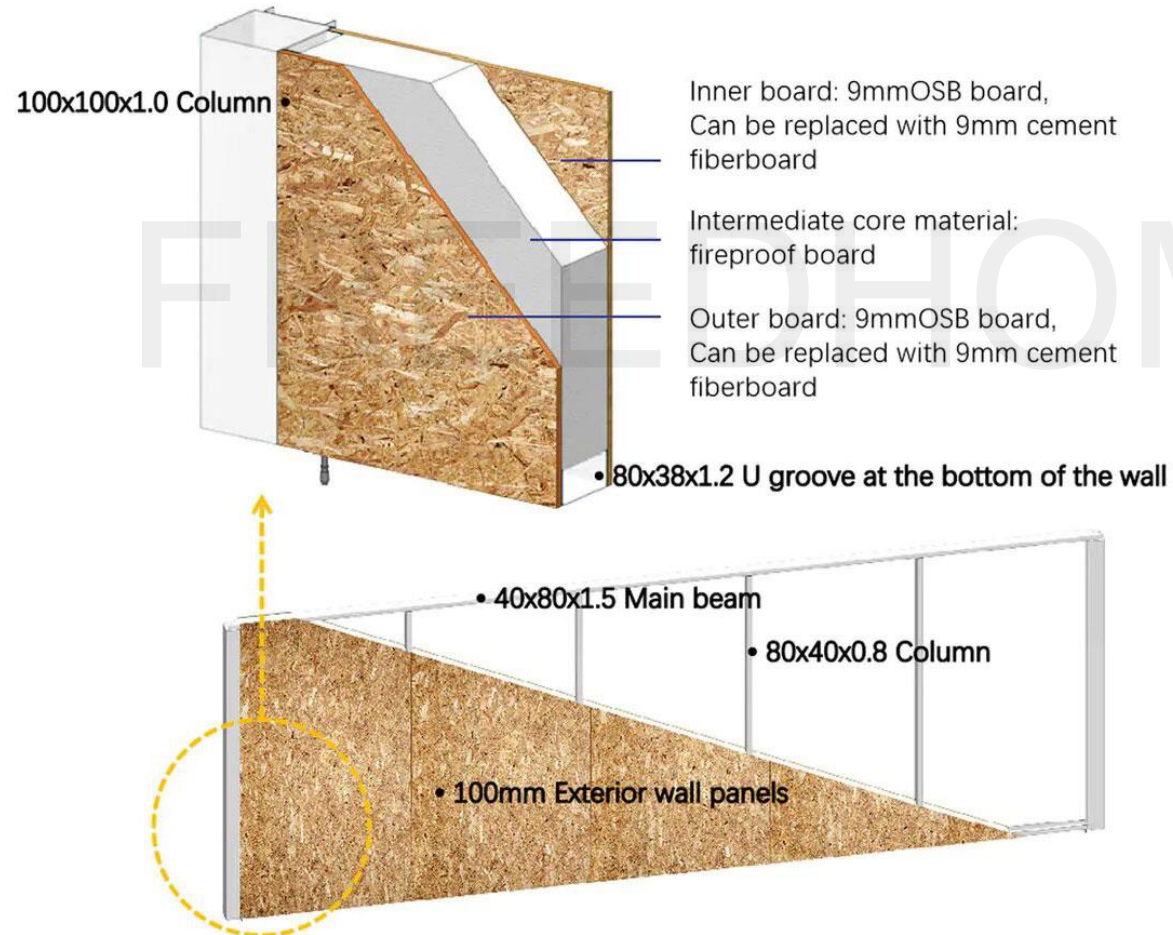


HOME

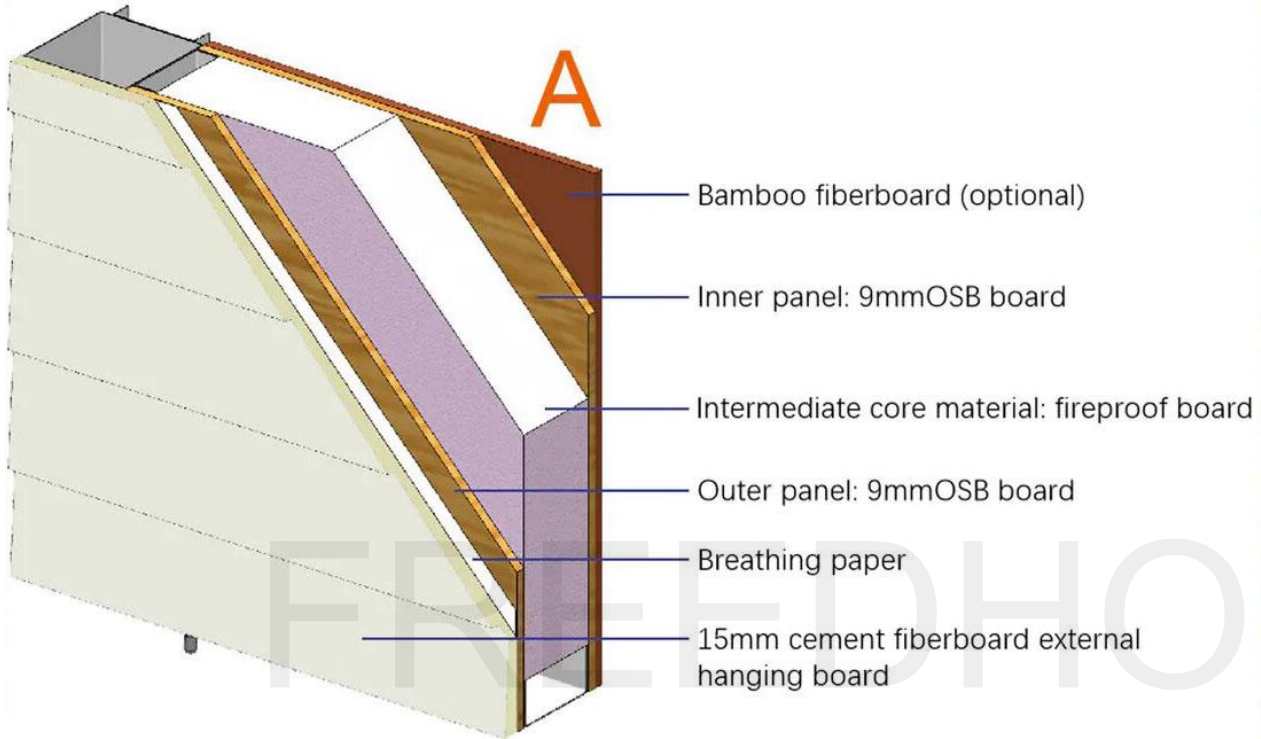
Specifications

WALL SYSTEM

Frame structure: frame + shear plate

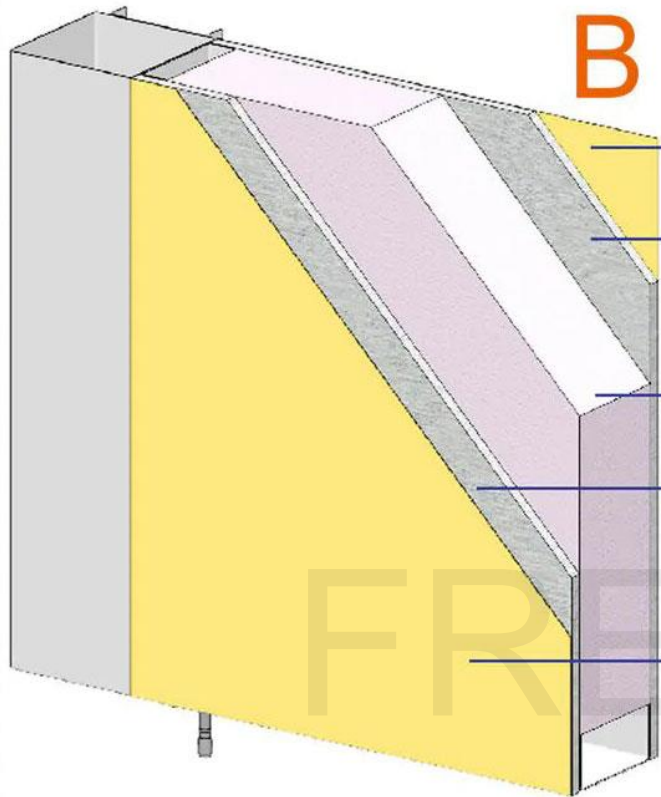


With Optional Materials



Note: The interior wall of the bathroom is made of waterproof coating + waterproof bamboo fiberboard (marble pattern)





B

Paint. Colors are optional

Inner panel: 9mm cement fiberboard

Intermediate core material:
fireproof board

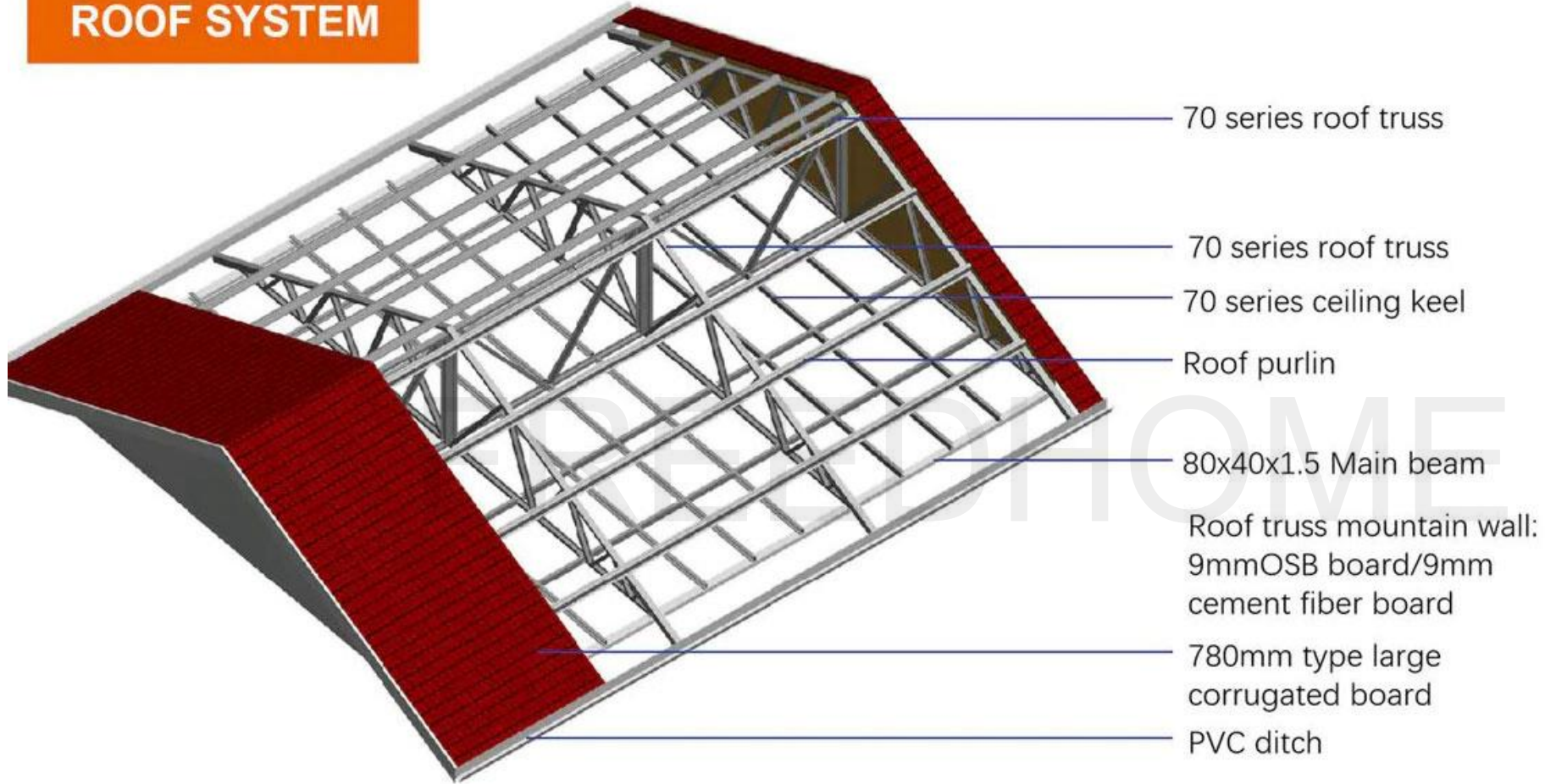
Outer panel: 9mm cement fiberboard

Paint. Colors are optional

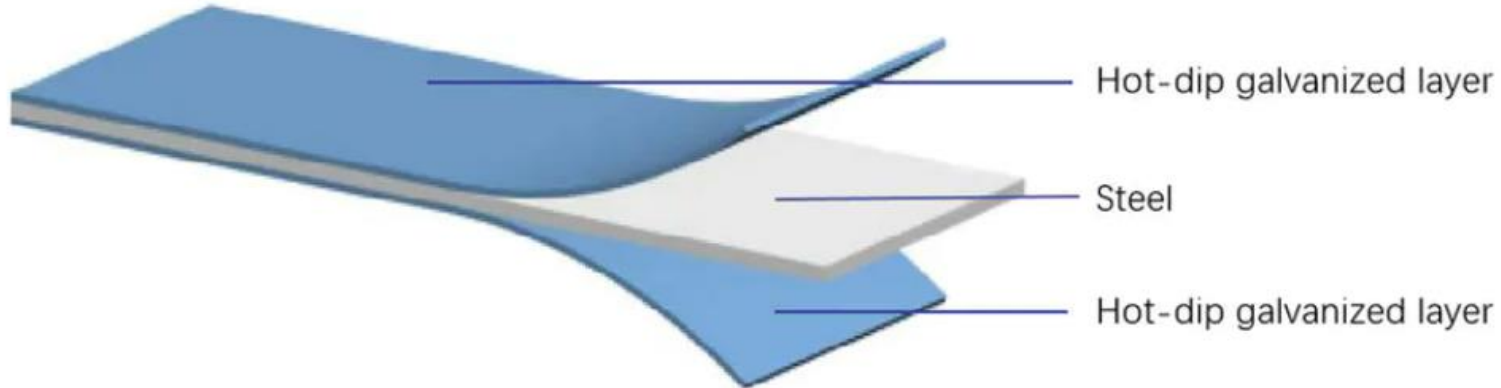
FREEDHOME



ROOF SYSTEM



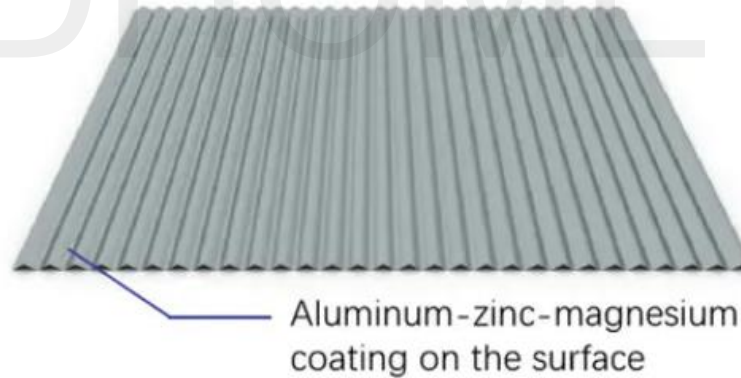
Hot-dip galvanized steel



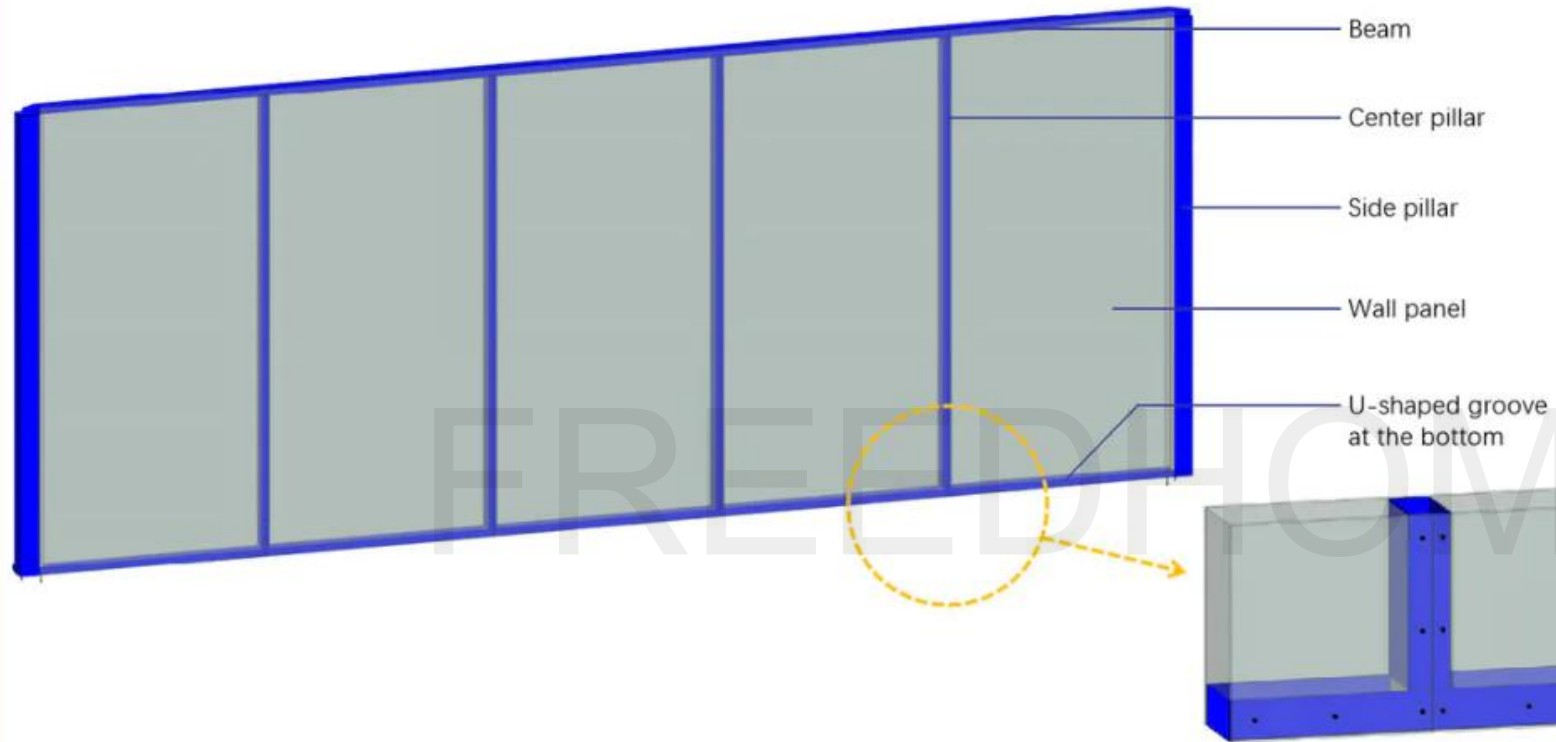
The overall frame of the building is galvanized and sprayed: the hot-dip galvanized coating is even, the adhesion is strong, and the anti-corrosion effect and service life are the best of all methods.

The surface of the roof color steel plate is coated with 150g/m² of aluminum-zinc-magnesium layer, sprayed with 25um powder and 5um paint after plating.

Roof color steel plate



Excellent Structural Strength



The lower house structure of the building adopts steel frame + shear plate, and the columns and beams, wall panels and frame are all connected into a whole, which has excellent overall structural strength.

Easy to Install



This product is one of the apartment types of the economic villa series under the PrefabX brand created by PTH. All components are produced by the factory automation and standardization.

The installation process requires low level of professional technology and does not require the assistance of large-scale machinery and equipment. Customers can carry out DIY installation through the equipped installation drawings and enjoy the fun of building a house with their families.



General Introduction :

The house covers an area of 74m², eave height is 2.44m, and the indoor ceiling height is 2.4m.

House type is 2 rooms, 2 halls, 1 kitchen and 1 bathroom.

The house structure adopts integrated modular wall + steel frame + light steel roof, clients only need to install the decorative finishes of internal and external wall on site.

House Specification :

Frame: wall system uses integrated wall+steel frame, roof system uses light steel roof.

Roof : 0.8mm standing seam roofing panels + surface coating is Aluminum Zinc Magnesium galvanized 100g/m²+high weather resistant paint 18/5um. Roof insulation uses 100mm glass wool+ Aluminum foil.

Wall : modular wall (Double-sided 9mm OSB board, filled with fire-proof real gold board), and the internal wall uses bamboo fiberboard (cloth pattern), bathroom wall uses waterproof coating + waterproof bamboo fiberboard (marble pattern). The external wall uses a 27mm golden plate (installed on site).

Floor: bathroom floor uses ceramic tile, living room uses SPC floor. They can be replaced with other materials.

Electricity : optional + standard is Chinese standard.

Sanitary configuration : 1set ceramic WC seat, 1set shower, 1set cabinet sink + 1pc glass shower partition.

Kitchen configuration : floor cabinet-L (2600-1800) *600mm + stainless steel sink and faucet.

Parameters

House area :	74m ²	Snow load :	0.00 KN/M2
Eave height :	2.44m	Roof dead load :	0.30 KN/M2
Indoor net height :	2.4m	Roof live load :	0.50 KN/M2
Anti Seismic :	Second level (9 degrees)	Durability:	50 years
Wind-resistance :	200km/h (Level 16)	Loading:	40 ft HQ
Wind load :	250km/h (calculated on 5S wind speed)	other	