

### Parameter Specification Table of PrefabX-SPD III-A-H20

#### Dimensions

- Unfold Size (L\*W\*H): 5960mm\*7094mm\*2698mm
- Packing Size (L\*W\*H): 6058mm\*2438mm\*2896mm
- Interior Ceiling Height: 2500mm
- Area: 42.3m<sup>2</sup> Net Indoor Area: 39.3m<sup>2</sup>

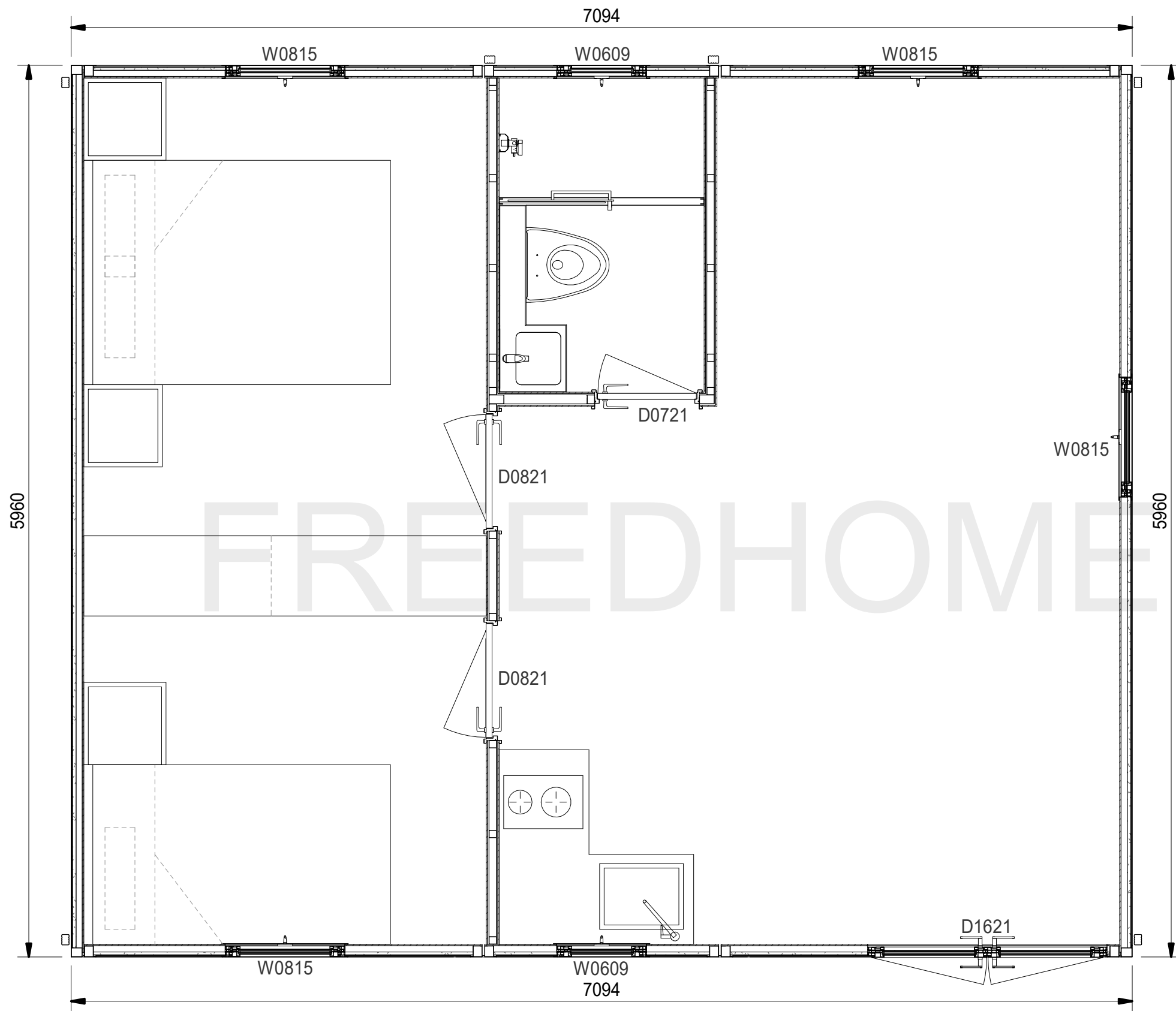
#### Load Information

- Wind Load: 3.0KN/M<sup>2</sup>
- Floor Load: 2.0KN/M<sup>2</sup>
- Roof Dead Load: 0.5KN/M<sup>2</sup>
- Snow Load: 1.5KN/M<sup>2</sup>
- Bathroom Floor Load: 2.5KN/M<sup>2</sup>
- Roof Live Load: 0.5KN/M<sup>2</sup>

#### Parameter Information

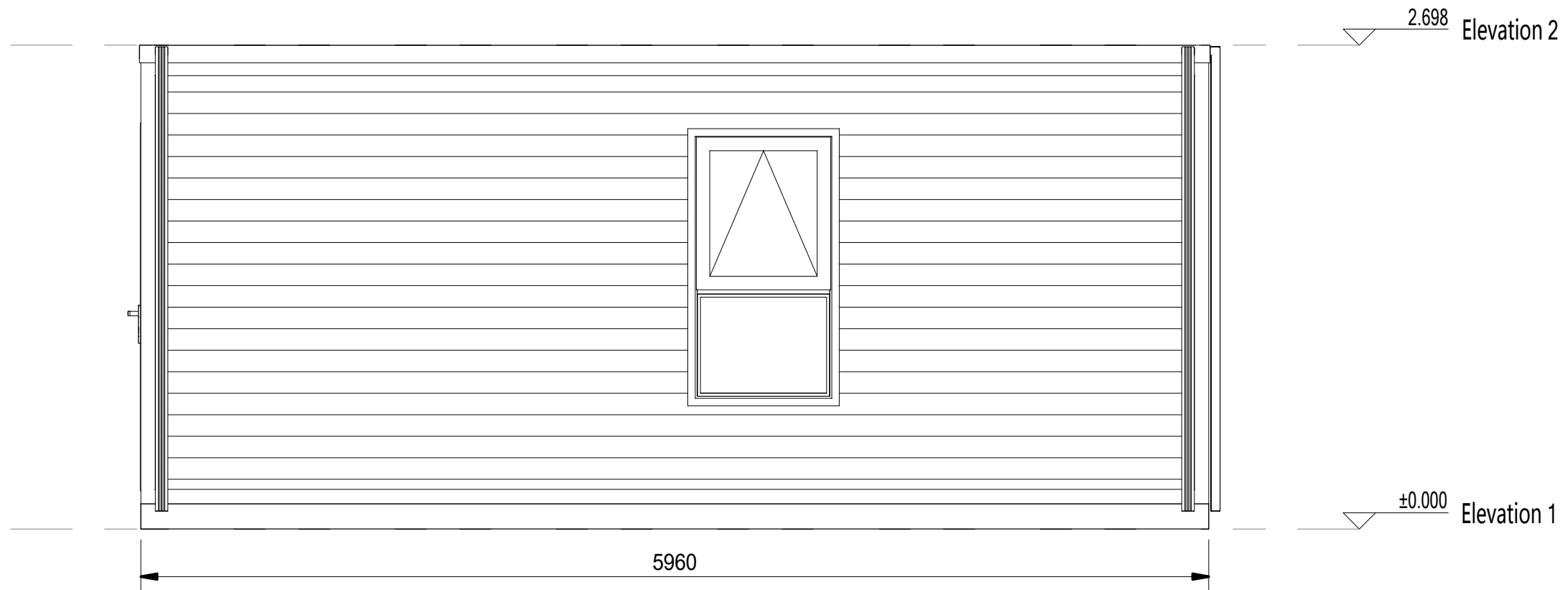
- Seismic Resistance Level: Grade 9
- Synthetic R-value: 20 ft<sup>2</sup>·hr·F/BTU
- Fire Resistance Level: Grade 3(0.5 HOUR)
- Sound Proof Coefficient : ≥60db

Catalog		
Drawing Number	Drawing Name	Note
J0-01	Layout Plan	
J0-02	Detailed Size Plan	
J0-03	Elevation Plan	
J0-04	Elevation Plan	
J0-05	Section Plan	
J0-06	3D Plan	
J0-07	3D Plan	
J0-08	Socket Plan	
J0-09	Lighting Plan	
J0-10	Water Supply and Drainage System Plan	
J0-11	Doors and Windows Plan	



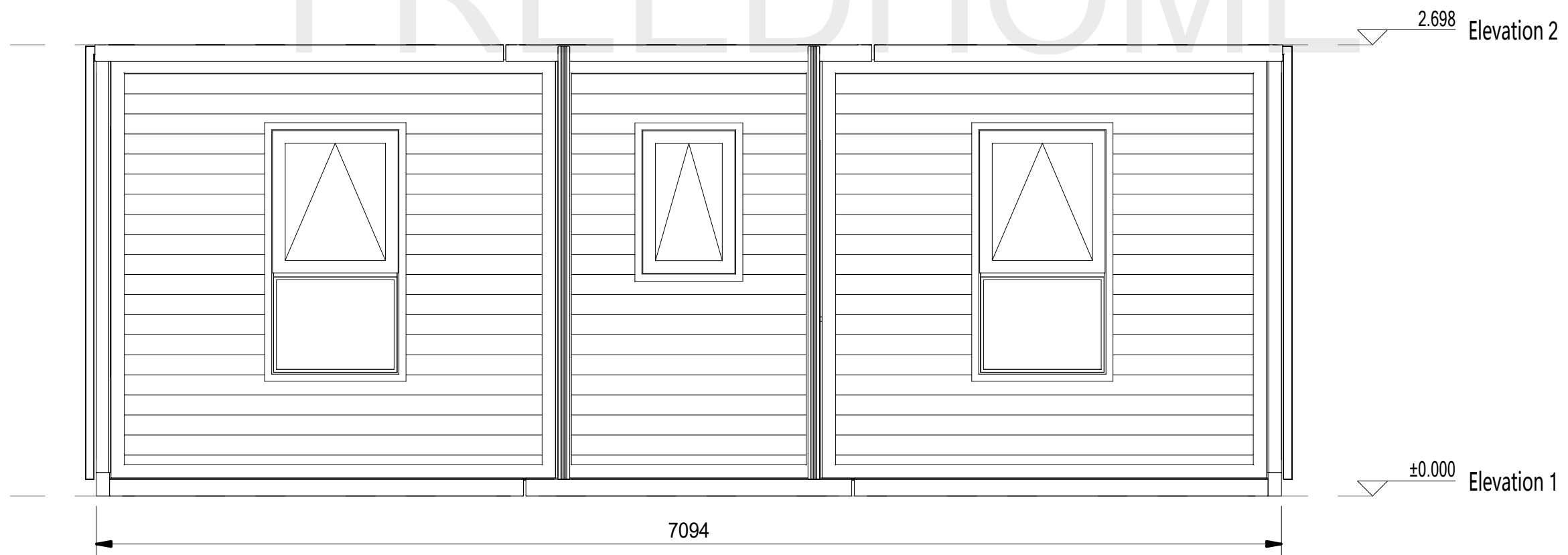
Layout Plan



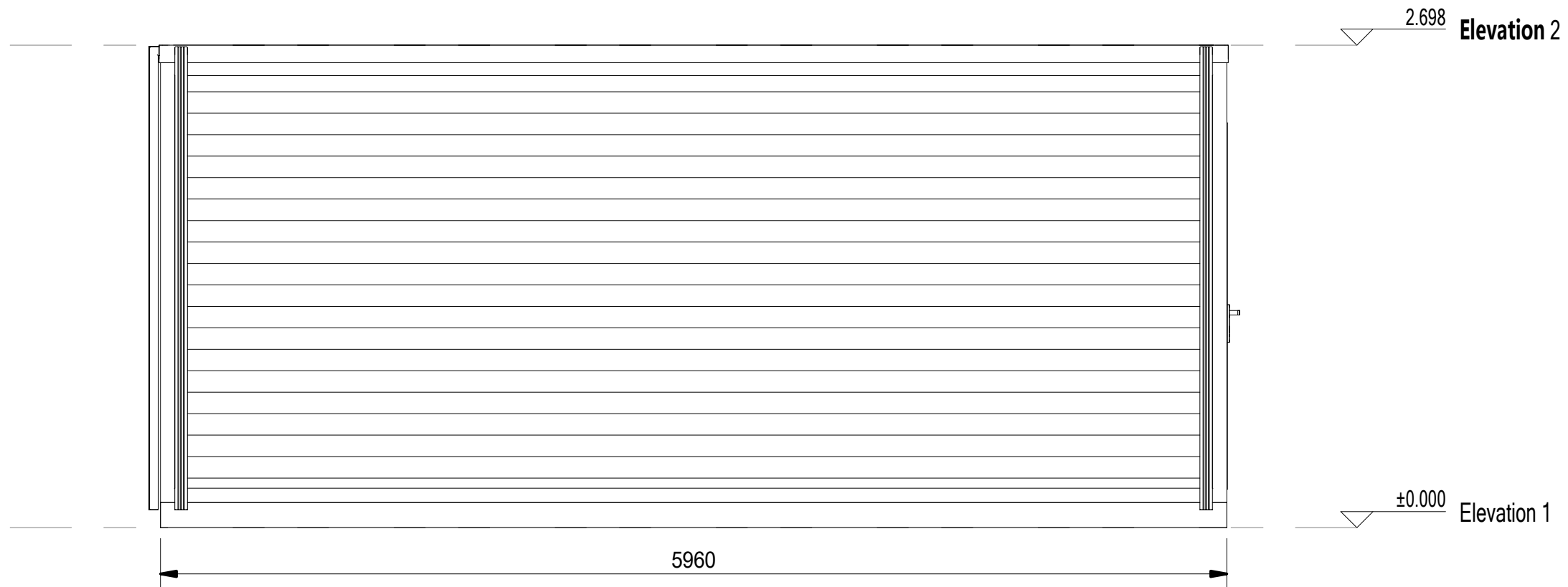


East

FREEDHOME

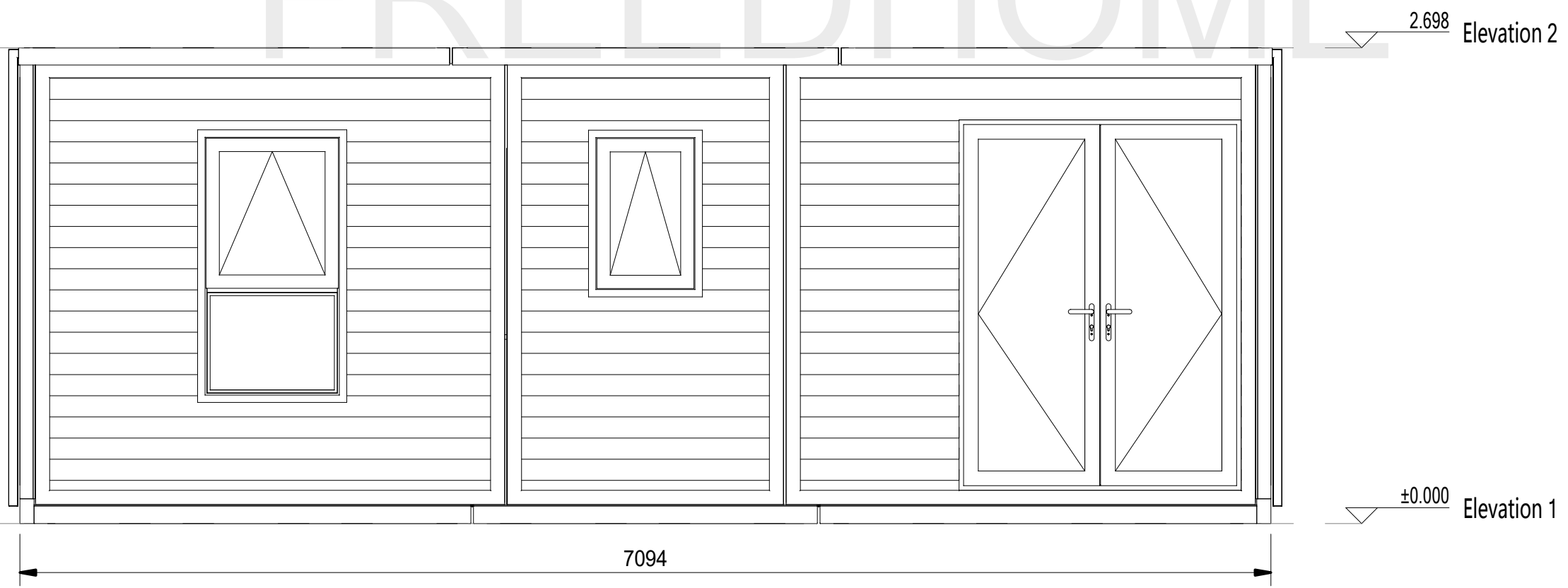


North

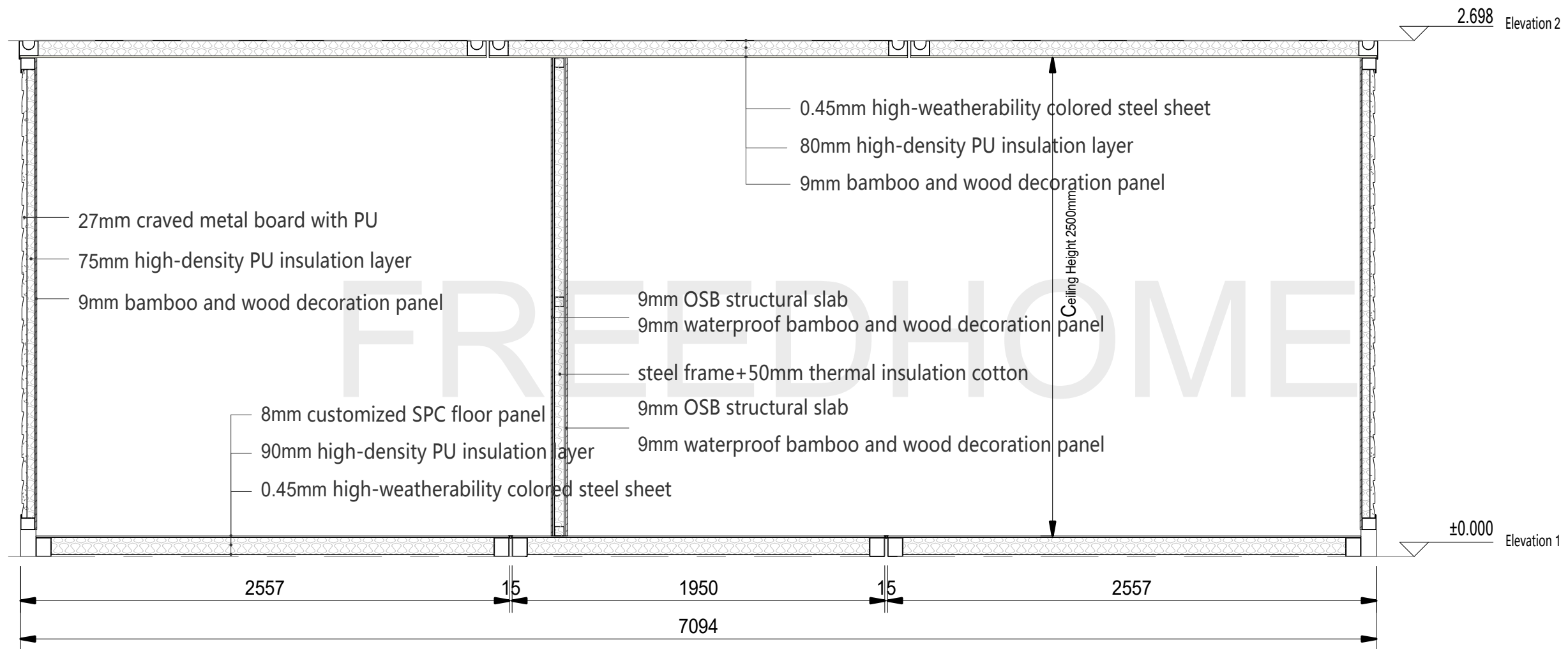


West

FREEDHOME

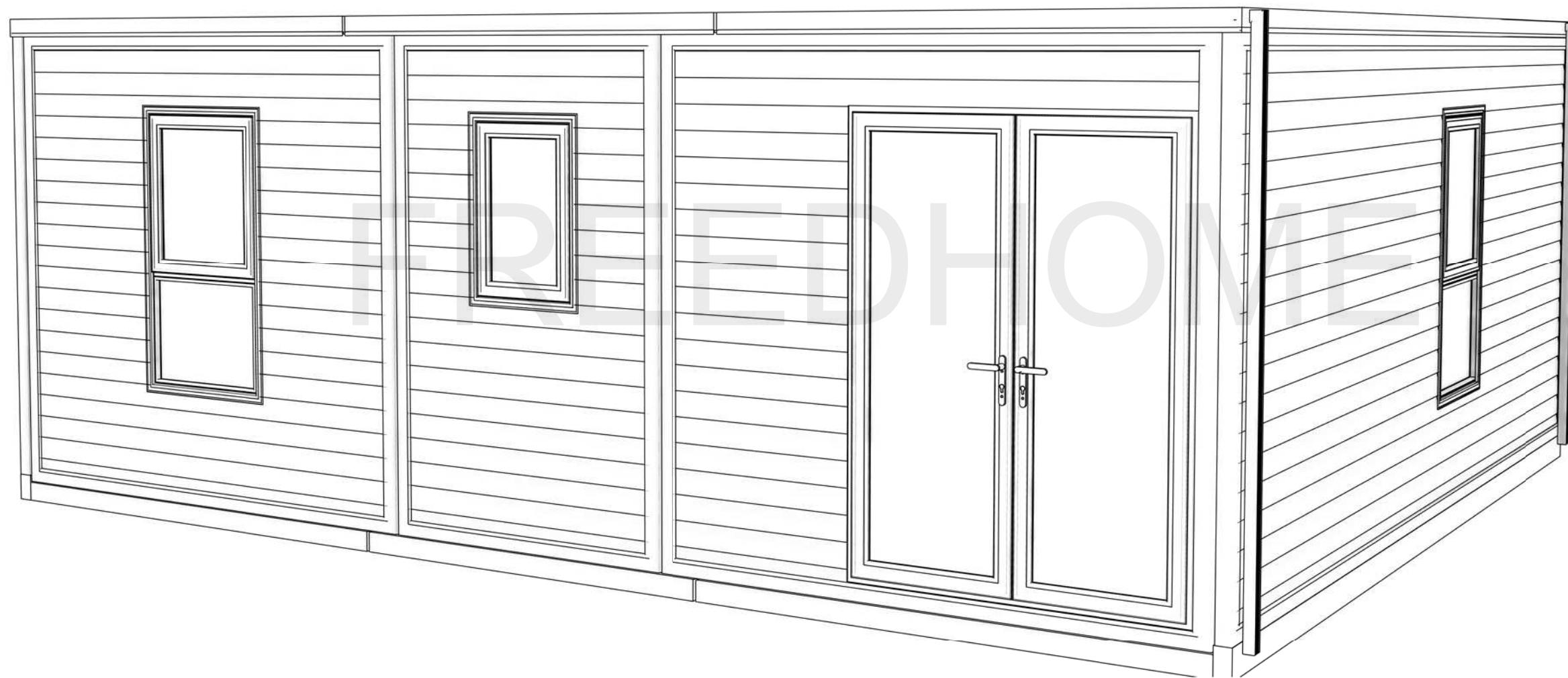


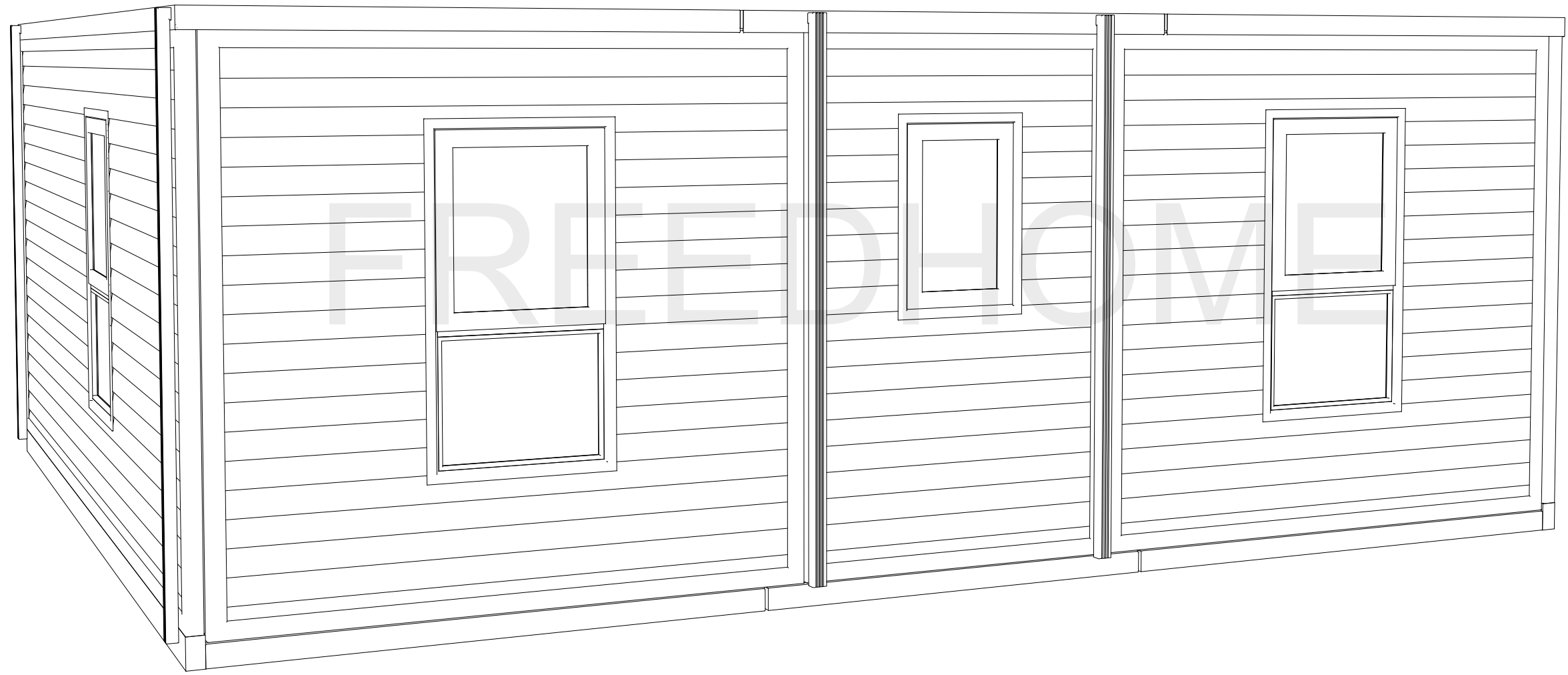
South



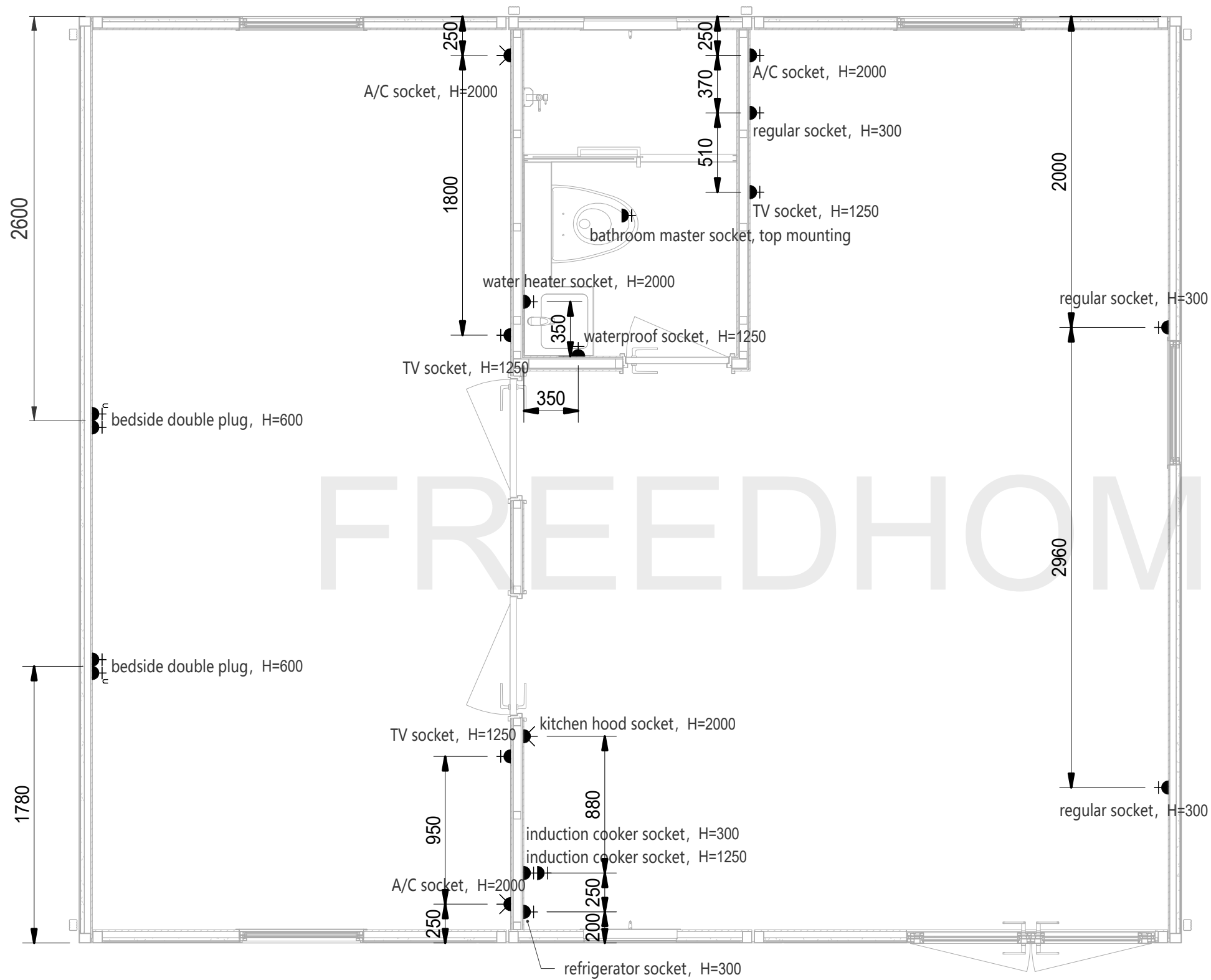
Section Plan

造圖





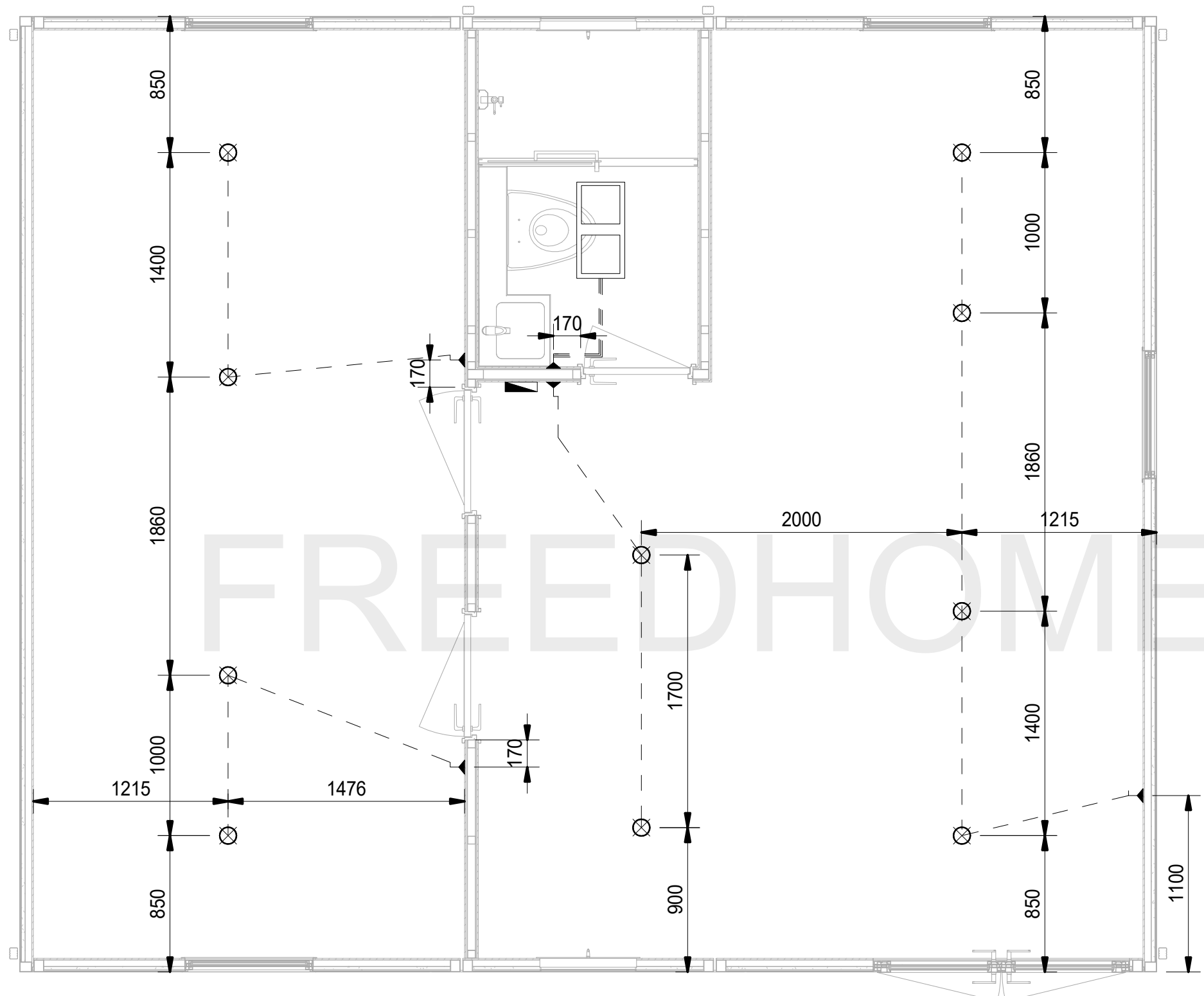




## Socket Plan

	EN/AS/GB Socket Legend	ASTM Socket Legend
	220v socket with USB	110v ASTM socket with USB
	220v socket	110v ASTM socket
	220v high-power socket	220v ASTM high-power socket





Note: the socket plan applies to ASTM/EN/AS/GB, and the socket panel needs to be replaced accordingly.

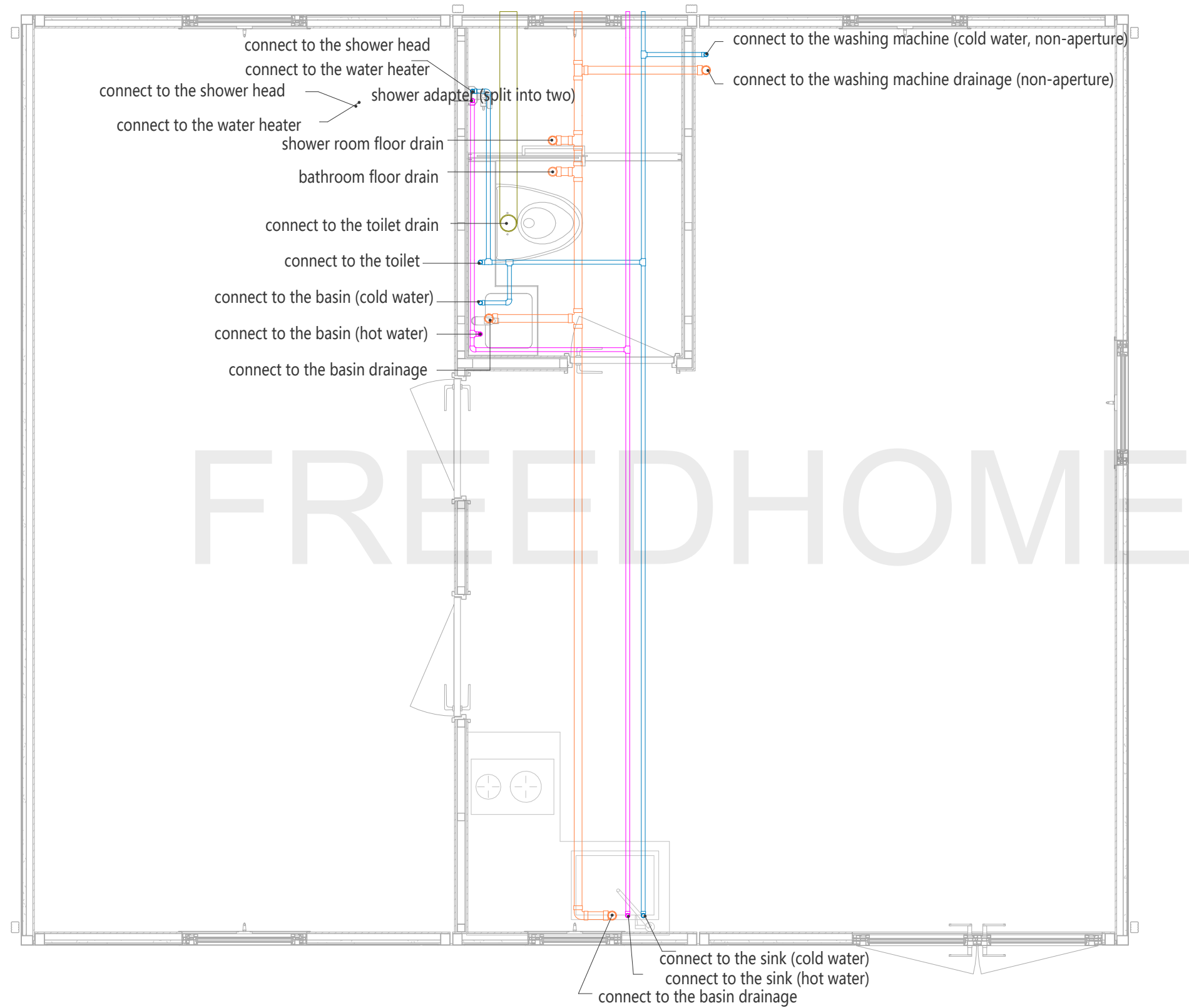


FREEDHOME

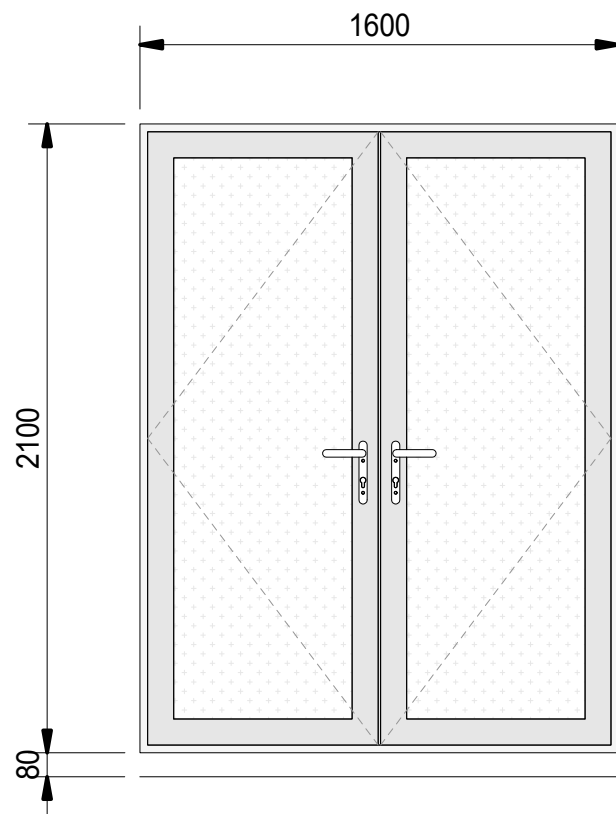
Lighting Plan

Lighting Legend

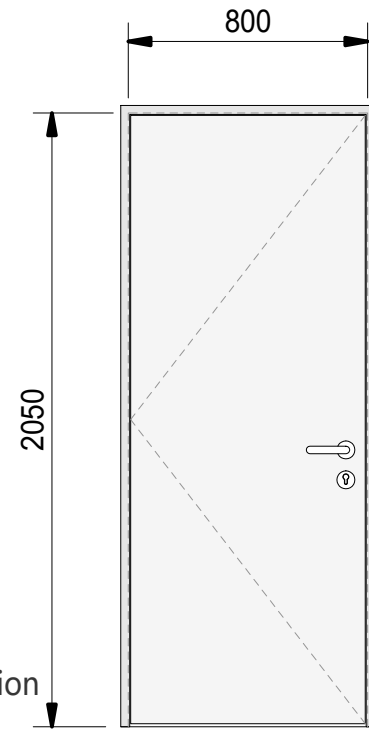
	LED Ultra-thin Downlight, 20w, White
	LED Bathroom Light, 300x300
	Single Control Switch
	Distribution Box



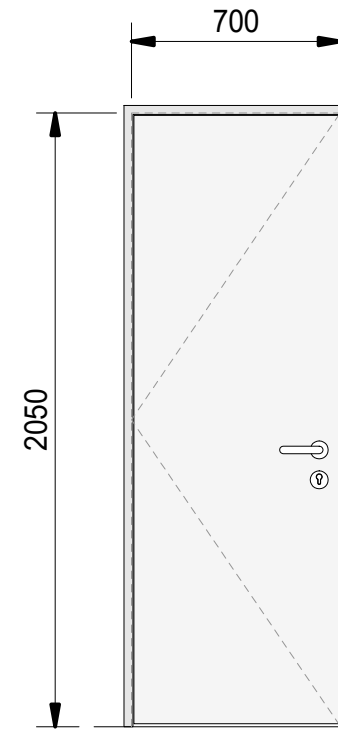
**Water Supply and Drainage System Plan**



D1621



D0821



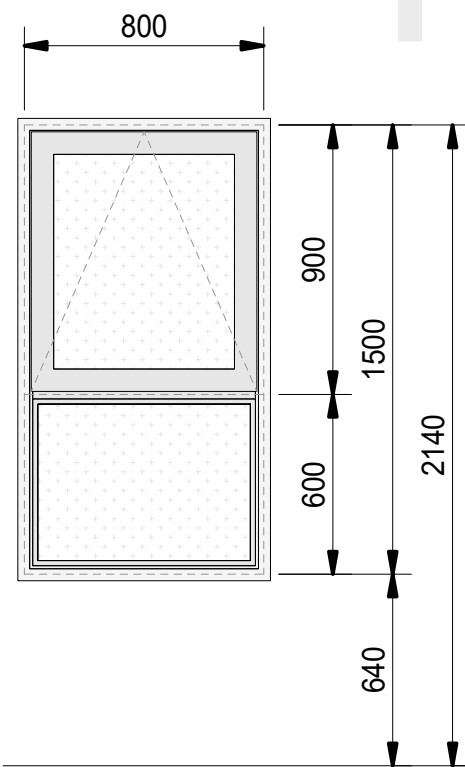
D0721

Indoor Elevation

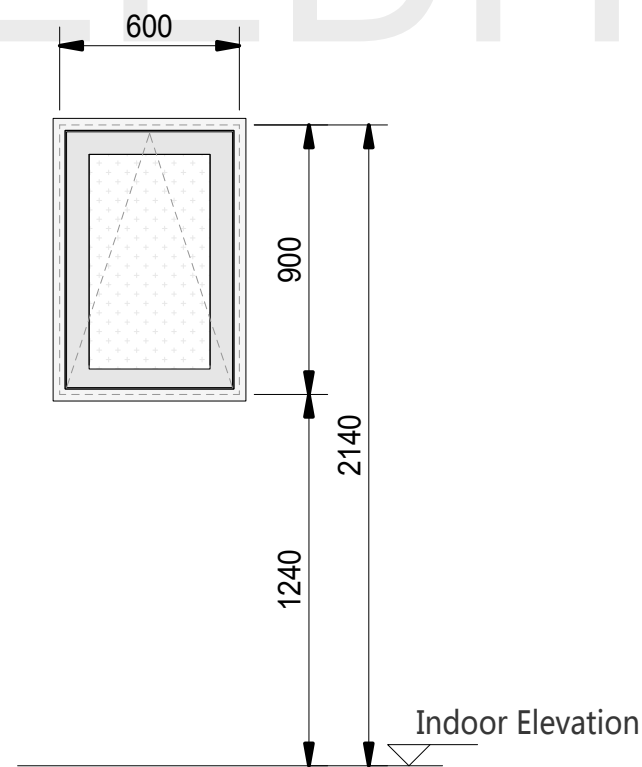
Indoor Elevation

Indoor Elevation

FREEDHOME



W0815



W0609

Indoor Elevation

Indoor Elevation